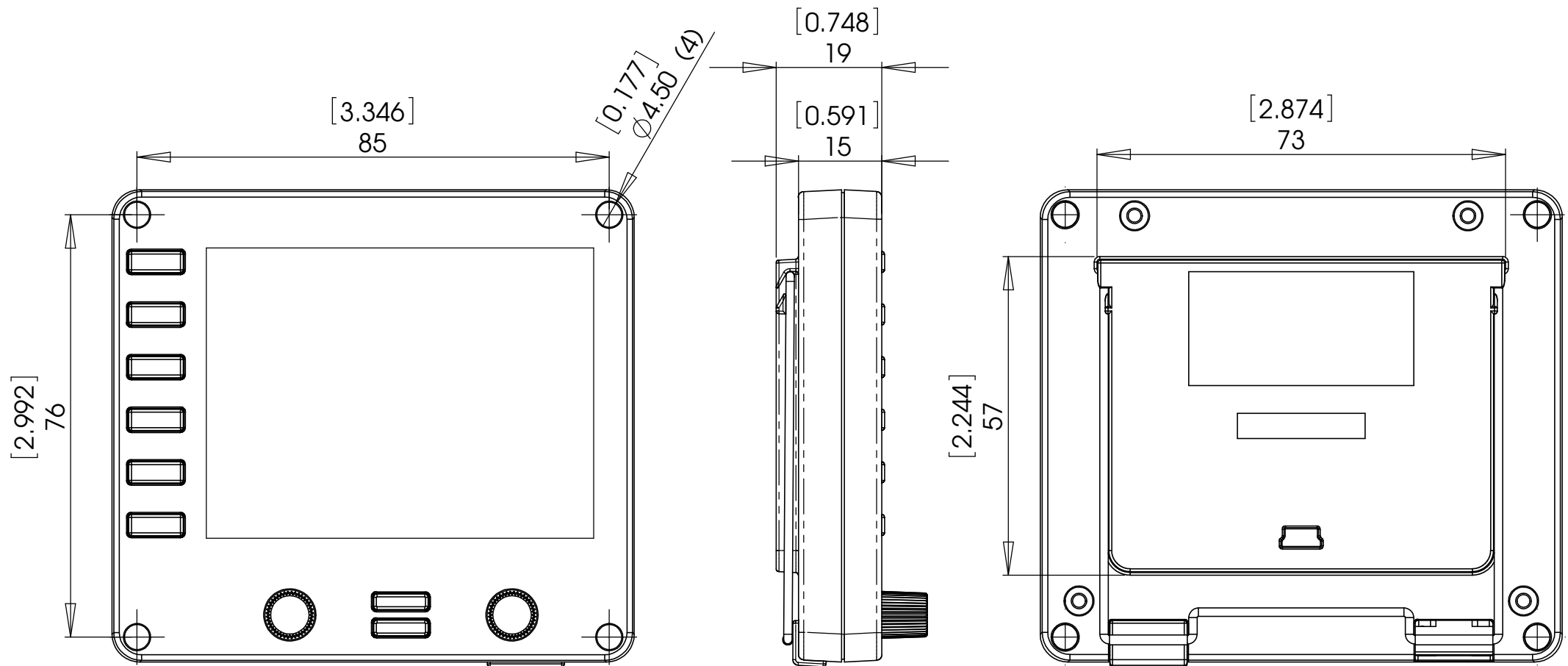


## Mounting Dimensions for Custom Cockpits



**Saitek**

Pro Flight Instrument Panel

Scale: 1:1

Paper: A4

May 2009

v1

**Notes:**

Use 4 x M4 pan head screws or bolts

Use plastic washers to avoid scratching the screen

Do not over tighten!

Dimensions in [ ] are in inches.